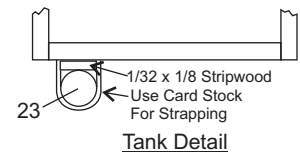
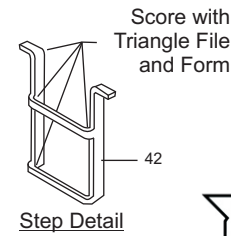
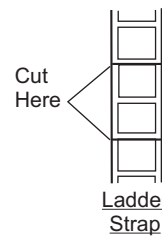
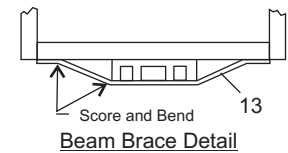
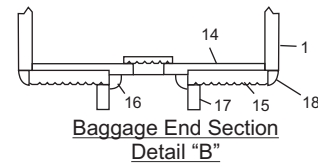
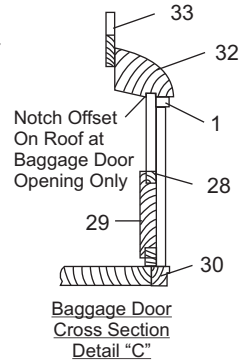
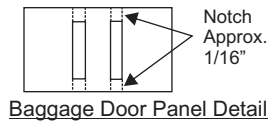
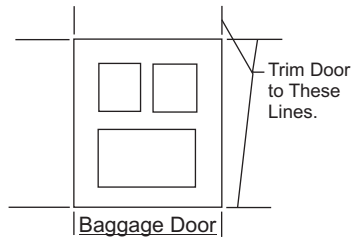
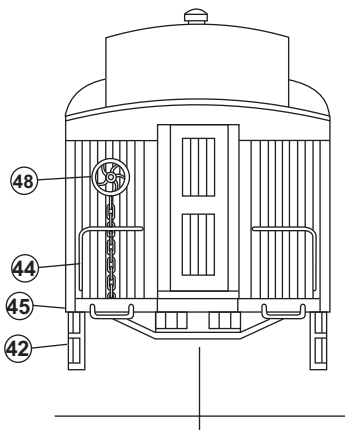
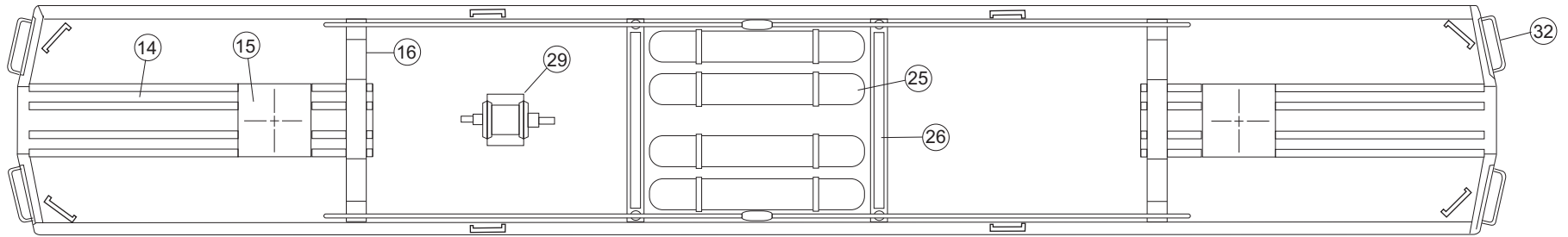
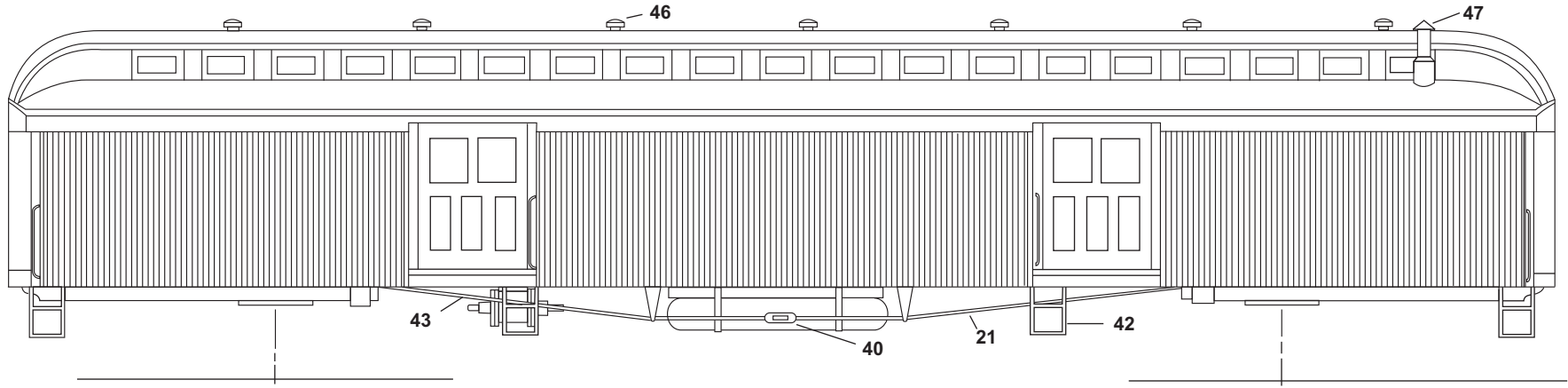
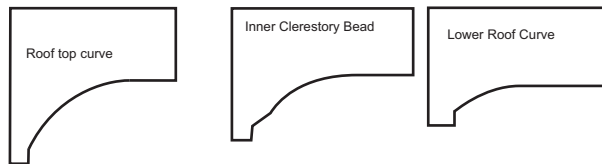
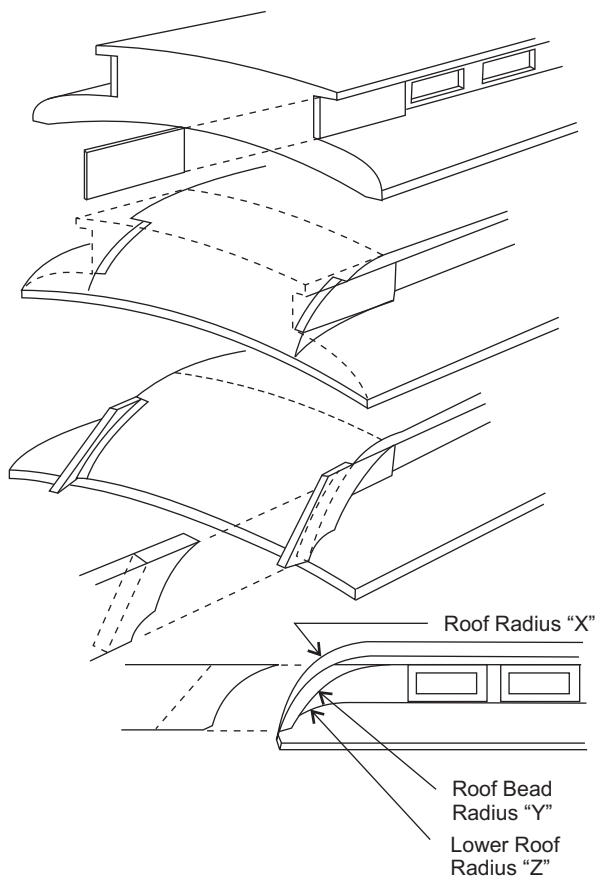


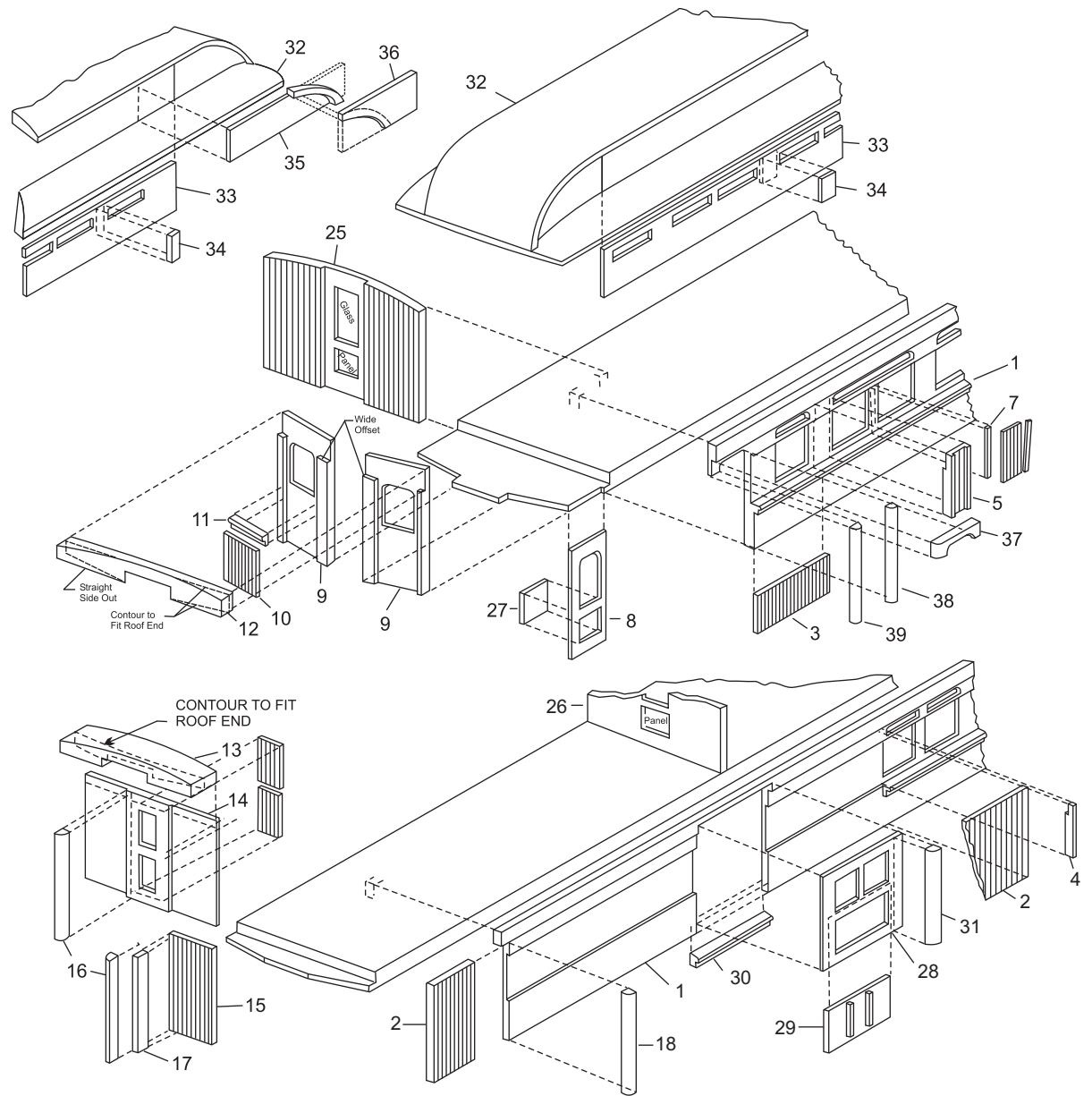
LABELLE WOODWORKING KIT HO-3 CLOSED VESTIBULE BAGGAGE CAR



LaBelle Woodworking Company
5101 Ridge Road
Cheyenne, Wyoming 82009
Phone :307-433-9909 Fax: 307-433-9949
Toll Free: 866-246-9967 (Voice Only)
e-mail: info@labellemodels.com



Roof ends may be rounded to contour shown on plan drawing. Make template from card stock and use to check contour for correct shape. Care should be taken when sanding roof ends to size, so as not to sand off too much. This is the point where everybody seems to get nutsy. Curving the roof is not that difficult. First, shape the roof to its rough shape using a knife, Next get a piece of strip sandpaper. While gently holding it against the top of the roof, pull the sandpaper over the rough curved end to smooth out the curve. Always sand with the grain of the wood, never against it. Check frequently with the radius on the instruction sheet or optional roof rounding kit. A few minutes of pulling on the sandpaper and your roof end is done. There, wasn't that simple?



LABELLE KIT HO-3 CLOSED VESTIBULE BAGGAGE CAR

First and foremost, we would like to thank you for purchasing this LaBelle Kit. We believe that these are the finest kits of their type on the market today and we hope that you enjoy building it. These are considered to be “craftsman” kits. Don’t let that put you off. If you can read and follow directions, you, too, can join the “Craftsman” ranks.

This is a basic kit of a 1905 Baggage Car. It is not a “Quickie Kit”, and therefore it is suggested that the isometric and plan drawings be studied thoroughly, also that the parts be sorted and be noted as to where they are intended to be used. It is suggested that assembly be followed by the numbers in the instructions which correspond with the numbers on the isometric and plan drawings.

Cement in place Siding (2). Note: When making Siding Joints, make cuts so Scribe Spacing is Equal. Trim and Sand Siding FLUSH with end of sub-sides and Baggage Door Openings. Now sand siding Flush with bottom of sides.

Refer to isometric drawing and Detail “B”. Cement letterboard (13) to end (14). Cement on scribed siding (15). Cut to length 1/16 by 1/16 inch quarter round (16) and 1/16 by 1/8 inch stripwood (17) and cement in place as per baggage end Detail “B”. Cement on door panels from left-over scribed siding.

Lay out bottom of floor for position of queen posts (19), gas tanks (20), truss rods (21) beams (22), and brake cylinder (23) Cement beams (22), and 1/64 by 1/8 inch stripwood beam brace (24) in place, leaving other under-body parts off until car body is assembled.

Cement one completed baggage end assembly to floor as shown, making sure it is square Now cement completed sides to floor making sure sides are flush with bottom of floor and against baggage end assembly. Important: Do Not apply cement at baggage door openings. Next cement on other completed baggage end assembly and 1/16 by 1/16 inch quarter round corner posts (18) in place.

Cut baggage doors (28) to size as per template. Apply panel (29) as per detail. Next cut out strip at bottom of baggage door openings. Set completed doors on floor and cement at Top Only. Cut to length sill strip (30) and cement in place, also cut and fit 1/16 by 1/16 quarter round posts (31) and cement in place

Start to assemble roof (32) by cementing clerestory window strips (33) inside roof on each side. Cut to length 1/32 by 3/16 inch stripwood (34) and (35). cement in place.

Now roof ends may be rounded to contour shown on plan drawing. Make template from card stock and use to check contour for correct shape. Care should be taken when sanding roof ends to size, so as not to sand off too much. This is the point where everybody seems to get nutsy. Curving the roof is not that difficult. First, shape the roof to its rough shape using a knife, Next get a piece of strip sandpaper or emery cloth. While gently holding it against the top of the roof, pull the sandpaper over the rough curved end to smooth out the curve. Always sand with the grain of the wood, never against it. Check frequently with the radius on the instruction sheet or optional roof rounding kit. A few minutes of pulling on the sandpaper and your roof end is done. There, wasn’t that simple?

Now roof ends may be rounded to contour shown on plan drawing. Make template from card stock and use to check contour for correct shape. Care should be taken when sanding roof ends to size. so as not to sand off too much. Make up overhang pieces (36) for ends of roof from 1/16 by 1/2 inch stripwood, as shown and cement on. Next refer to DETAIL C for notching roof at baggage door openings.

Make up and apply four gas tanks (20) as shown. Cement on queen posts (19), install truss rods (21), turnbuckles (40), brake cylinder (23) and steps (42)

Make up hand rails (43) (44) and install. Add grab irons (45). roof vents (46) (brass escutcheon pins), chimney (47).
brake wheel and chain (48).

Car is ready for painting. After painting, add clear acetate for clerestory windows in roof

NOTE: Position of truck centers will be determined by type and make of trucks used Position Bolster (49)
accordingly



LaBelle Woodworking Company
5101 Ridge Road
Cheyenne, Wyoming 82009
Phone :307-433-9909 Fax: 307-433-9949
Toll Free: 866-246-9967 (Voice Only)
e-mail: info@labellemodels.com